



Specification

- Voltage : 12Vdc
- Current : <50mA
- Cable : 0.28mm² ~ 2.5mm²
- Sound Output : 75 ~ 95dB@1m
- Temperature Range :- 25°C ~ 70°Cc
- Outdoor Use : Weatherproof

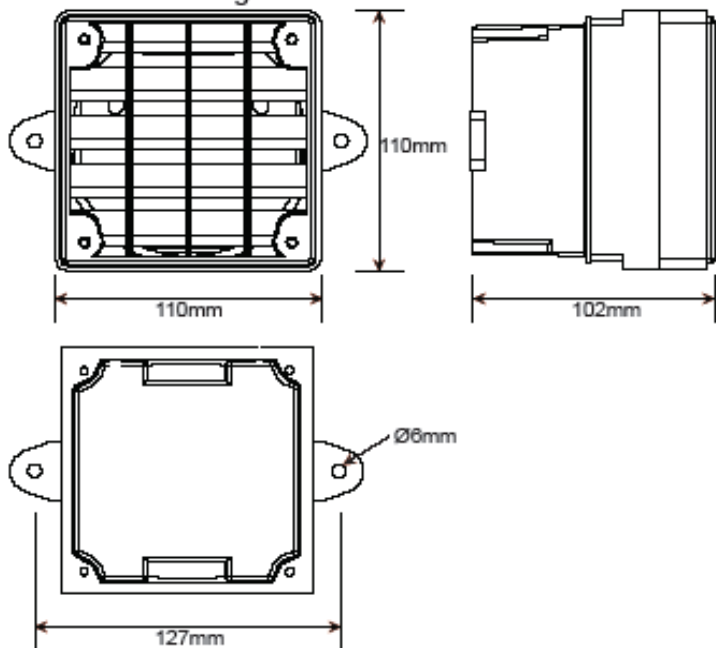
Options

- Security Cage
- Fixed Angle Bracket
- Power Supply
- PIR (N/O)
- Remote Switch

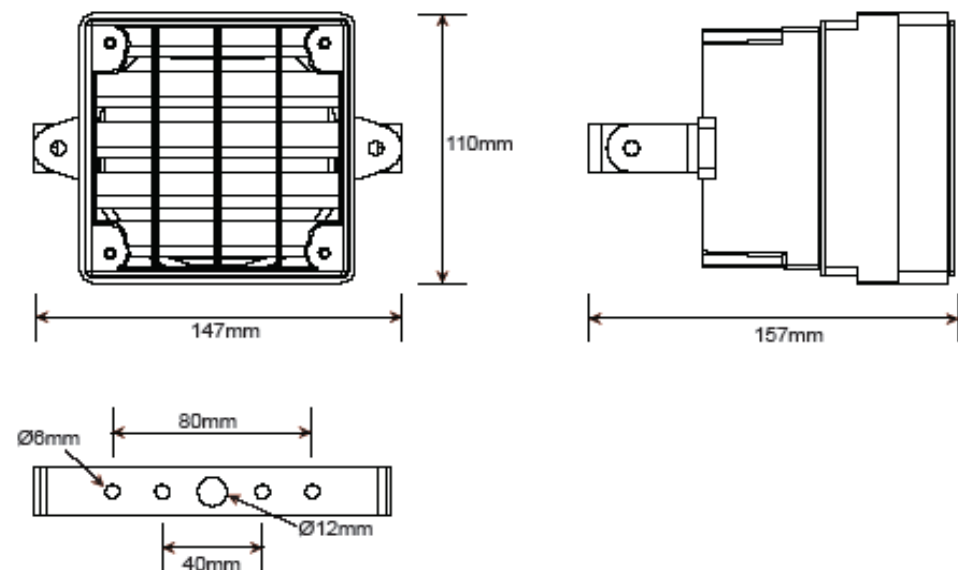
!! Important !!
Regulated Power Supply
12V Nominal
Range 10.5 ~ 13.5V (Max)
0.5A rated preferable

Dimensions

Direct Wall Mounting

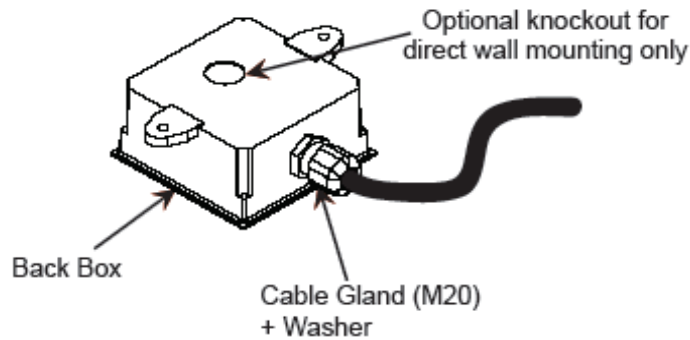


Bracket Wall Method

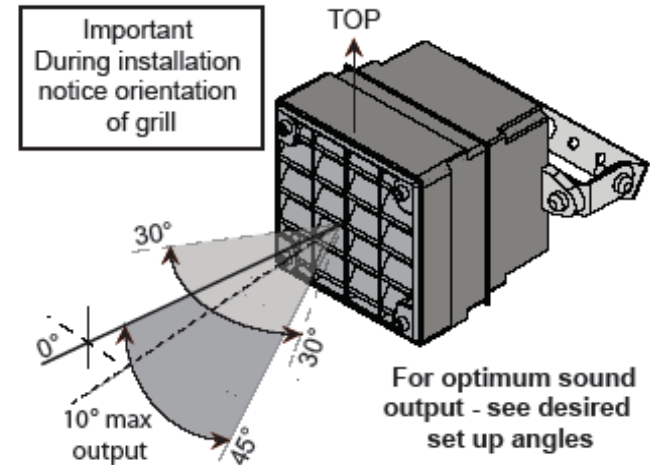
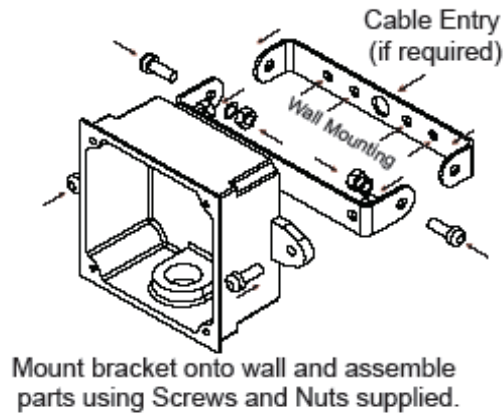


Installation

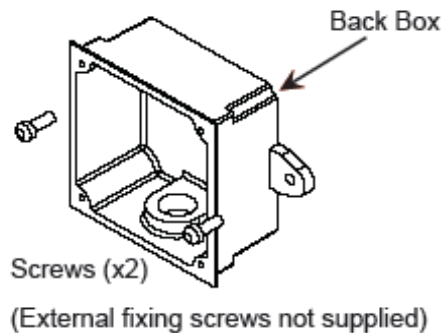
Back Box Preparation



Bracket Wall Method

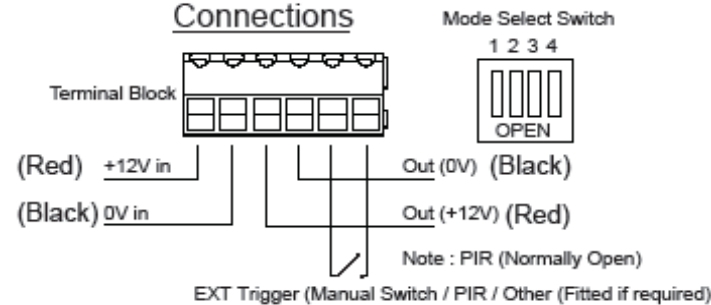


Direct Wall Mounting



Note :- use suitable screws for the surface you are fixing the Mosquito Sounder to. Ensure all cable entries are suitably sealed against water ingress.

Connections



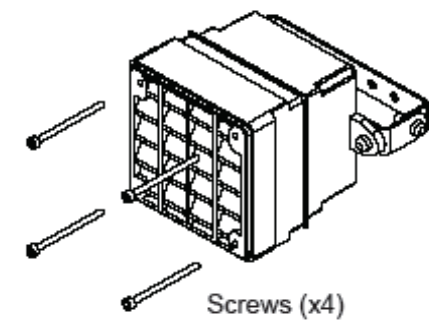
	Switch Setting			
	1	2	3	4
	Timer	EXT Trigger	Sound Trigger	Volume Level
Closed	Continuous *	Off	Off	Indoor (75~90dB)
Open	Timer ** (on for 20mins)	On	On	Outdoor (80~95dB)

Note : Sound trigger Mode "ON"-
If the ambient noise exceeds 65dB @ 1m from the microphone, the unit will be triggered and the Mosquito Sounder activated.

* Open - runs continuously (Not for use in the U.K.)

** Closed - 20min Timer - (U.K. use)

Final Assembly



When wiring is completed, mount front of Mosquito Sounder onto the back box and fix using the screws provided.

Note : Ensure cables do not become trapped in the casing.